

Data Sheet

R-Series V RDV SSI

Magnetostrictive Linear Position Sensors

- Space-saving installation due to detached sensor electronics housing
- Backwards compatible with RD4 generation
- All advantages of the R-Series V



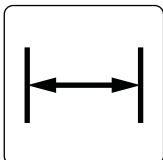
V
THE NEW GENERATION

MEASURING TECHNOLOGY

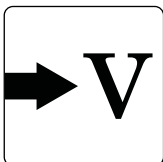
The absolute, linear position sensors provided by Temposonics rely on the company's proprietary magnetostrictive technology, which can determine position with a high level of precision and robustness. Each Temposonics position sensor consists of a ferromagnetic waveguide, a position magnet, a strain pulse converter and a supporting electronics. The magnet, connected to the object in motion in the application, generates a magnetic field at its location on the waveguide. A short current pulse is applied to the waveguide. This creates a momentary radial magnetic field and torsional strain on the waveguide. The momentary interaction of the magnetic fields releases a torsional strain pulse that propagates the length of the waveguide. When the ultrasonic wave reaches the beginning of the waveguide it is converted into an electrical signal. Since the speed of the ultrasonic wave in the waveguide is precisely known, the time required to receive the return signal can be converted into a linear position measurement with both high accuracy and repeatability.

R-SERIES V RDV SSI

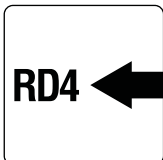
The Temposonics® R-Series V brings very powerful sensor performance to meet the many demands of your application. The sensor RDV is the version of the R-Series V with a detached sensor electronics. The main advantages of the version RDV are:



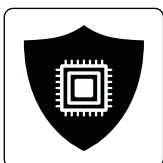
Space-saving installation
The detached sensor electronics allow space-saving installation of the compact measuring rod.



R-Series V platform
The detached sensor electronics is based on the R-Series V and offers all advantages of the innovative series.



Backwards compatible
Mechanically and electrically, the sensors are backwards compatible with the RD4. This means that the sensor rod or the sensor electronics can be replaced without any problems.



Protection of the sensor electronics
By separating the robust sensor rod from the complex evaluation electronics, improved protection against process influences can be realized.

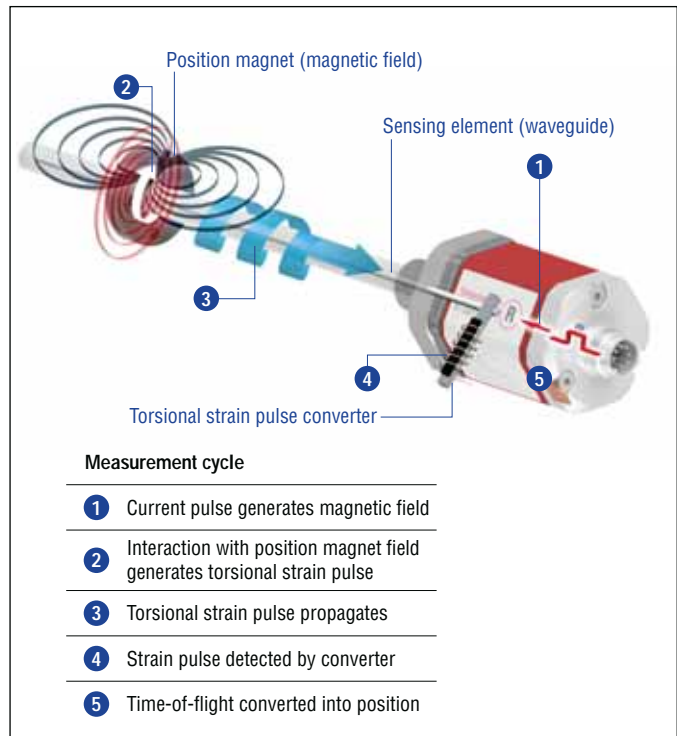
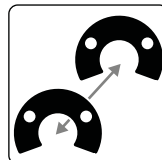


Fig. 1: Time-of-flight based magnetostrictive position sensing principle

In addition the R-Series V SSI scores with the following features:



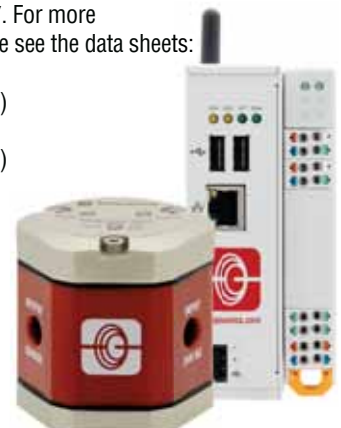
Differential measurement between 2 positions
The R-Series V SSI can measure and output the distance between 2 position magnets.



R-Series V SSI
The interface of the R-Series V SSI corresponds to the SSI industry standard for absolute encoders. You can select the configuration of the SSI signal that fits best to your application and also adjust it on site with the sensor assistants.

All settings under control with the sensor assistants for the R-Series V
The TempoLink® and the TempoGate® smart assistants support you in set-up and diagnostics of the R-Series V. For more information of these assistants please see the data sheets:

- TempoLink® smart assistant
([Document part number: 552070](#))
- TempoGate® smart assistant
([Document part number: 552110](#))



TECHNICAL DATA

Output																			
Interface	SSI (Synchronous Serial Interface) – differential signal in SSI standard (RS-485/RS-422)																		
Data format	Binary or gray																		
Data length	8...32 Bit																		
Data transmission rate	70 kBaud ¹ ...1 MBaud, depending on cable length: <table border="1"> <tr> <td>Cable length</td> <td>< 3 m</td> <td>< 50 m</td> <td>< 100 m</td> <td>< 200 m</td> <td>< 400 m</td> </tr> <tr> <td>Baud rate</td> <td>1 MBd</td> <td>< 400 kBd</td> <td>< 300 kBd</td> <td>< 200 kBd</td> <td>< 100 kBd</td> </tr> </table>	Cable length	< 3 m	< 50 m	< 100 m	< 200 m	< 400 m	Baud rate	1 MBd	< 400 kBd	< 300 kBd	< 200 kBd	< 100 kBd						
Cable length	< 3 m	< 50 m	< 100 m	< 200 m	< 400 m														
Baud rate	1 MBd	< 400 kBd	< 300 kBd	< 200 kBd	< 100 kBd														
Measured value	Position or velocity, position and temperature in the sensor electronics housing																		
Measurement parameters																			
Resolution: Position	0.1...100 µm (0.0001...0.1 mm)																		
Resolution: Velocity	0.001 mm/s (determined over 10 measured values)																		
Update rate ²	<table border="1"> <tr> <td>Stroke length</td> <td>25 mm</td> <td>300 mm</td> <td>750 mm</td> <td>1000 mm</td> <td>2000 mm</td> <td>5080 mm</td> </tr> <tr> <td>Update rate</td> <td>10 kHz</td> <td>3.4 kHz</td> <td>2.7 kHz</td> <td>2.1 kHz</td> <td>1.2 kHz</td> <td>0.5 kHz</td> </tr> </table>	Stroke length	25 mm	300 mm	750 mm	1000 mm	2000 mm	5080 mm	Update rate	10 kHz	3.4 kHz	2.7 kHz	2.1 kHz	1.2 kHz	0.5 kHz				
Stroke length	25 mm	300 mm	750 mm	1000 mm	2000 mm	5080 mm													
Update rate	10 kHz	3.4 kHz	2.7 kHz	2.1 kHz	1.2 kHz	0.5 kHz													
Linearity deviation ^{3,4}	<table border="1"> <tr> <td>Stroke length</td> <td>≤ 400 mm</td> <td>> 400 mm</td> </tr> <tr> <td>Linearity deviation</td> <td>≤ ±40 µm</td> <td>< ±0.01 % F.S.</td> </tr> </table> <p>Optional internal linearization: Linearity tolerance (applies for the first magnet for differential measurement)</p> <table border="1"> <tr> <td>Stroke length</td> <td>25...300 mm</td> <td>300...600 mm</td> <td>600...1200 mm</td> </tr> <tr> <td>typical</td> <td>± 15 µm</td> <td>± 20 µm</td> <td>± 25 µm</td> </tr> <tr> <td>maximum</td> <td>± 25 µm</td> <td>± 30 µm</td> <td>± 50 µm</td> </tr> </table>	Stroke length	≤ 400 mm	> 400 mm	Linearity deviation	≤ ±40 µm	< ±0.01 % F.S.	Stroke length	25...300 mm	300...600 mm	600...1200 mm	typical	± 15 µm	± 20 µm	± 25 µm	maximum	± 25 µm	± 30 µm	± 50 µm
Stroke length	≤ 400 mm	> 400 mm																	
Linearity deviation	≤ ±40 µm	< ±0.01 % F.S.																	
Stroke length	25...300 mm	300...600 mm	600...1200 mm																
typical	± 15 µm	± 20 µm	± 25 µm																
maximum	± 25 µm	± 30 µm	± 50 µm																
Repeatability	< ±0.001 % F.S. (minimum ±2.5 µm) typical																		
Hysteresis	< 4 µm typical																		
Temperature coefficient	< 15 ppm/K typical																		
Operating conditions																			
Operating temperature	-40...+85 °C (-40...+185 °F)																		
Humidity	90 % relative humidity, no condensation																		
Ingress protection	Sensor electronics IP67 (with professional mounted housing and connectors) Measuring rod with connecting cable for side cable entry: IP65 Measuring rod with single wires and flat connector with bottom cable entry: IP30																		
Shock test	100 g/11 ms, IEC standard 60068-2-27																		
Vibration test	10 g/10...2000 Hz, IEC standard 60068-2-6 (excluding resonant frequencies)																		
EMC test	Electromagnetic emission according to EN 61000-6-3 Electromagnetic immunity according to EN 61000-6-2 The RDV sensors fulfill the requirements of the EMC directives 2014/30/EU, UKSI 2016 No. 1091 and TR CU 020/2011 under the condition of an EMC compliant installation ⁵																		
Operating pressure	350 bar (5076 psi)/700 bar (10,153 psi) peak (at 10 × 1 min) for sensor rod																		
Magnet movement velocity	Any																		
Design/Material																			
Sensor electronics housing	Aluminum (painted), zinc die cast																		
Sensor rod with flange	Stainless steel 1.4301 (AISI 304)																		
RoHS compliance	The used materials are compliant with the requirements of EU Directive 2011/65/EU and EU Regulation 2015/863 as well as UKSI 2022 No. 622																		
Stroke length	25...2540 mm (1...100 in.) for pressure-fit flange »S« 25...5080 mm (1...200 in.) for all threaded flanges																		

Technical data “Mechanical mounting” and “Electrical connection” on [page 4](#)

1/ With standard one shot of 16 µs

2/ Sensor with standard settings. Further information can be found in the operation manual R-Series V SSI (document part number: [552011](#))

3/ With position magnet # 251 416-2

4/ For rod style »S« the linearity deviation can be higher in the first 30 mm (1.2 in.) of stroke length

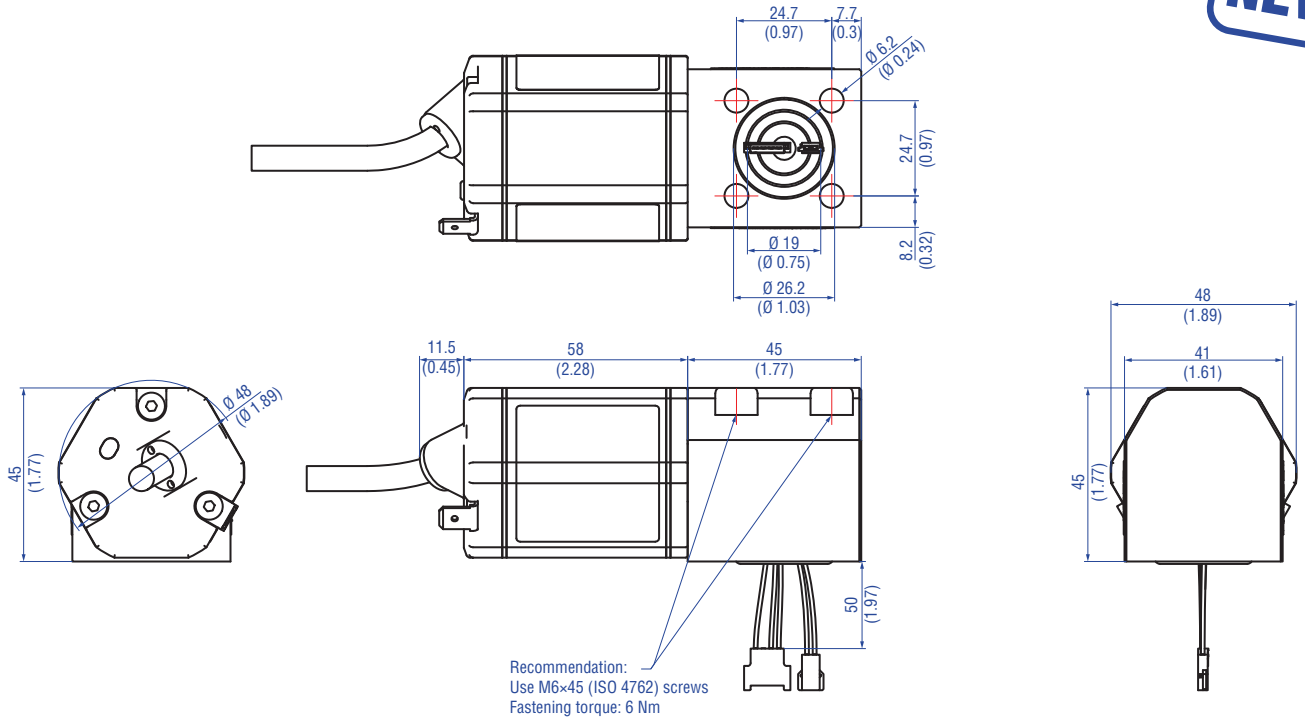
5/ The cable between the sensor element and the sensor electronics housing must be mounted in an appropriately shielded environment

Mechanical mounting	
Mounting position	Any
Mounting instruction	Please consult the technical drawings on page 5 , page 6 and page 7 and the operation manual (document part number: 552011)
Electrical connection	
Connection type	1 × M16 male connector (7 pin) oder 1 × M12 male connector (8 pin) or cable outlet
Operating voltage	+12...30 VDC ±20 % (9.6...36 VDC)
Power consumption	1.2 W typical
Dielectric strength	500 VDC (DC ground to machine ground)
Polarity protection	Up to -36 VDC
Overvoltage protection	Up to 36 VDC

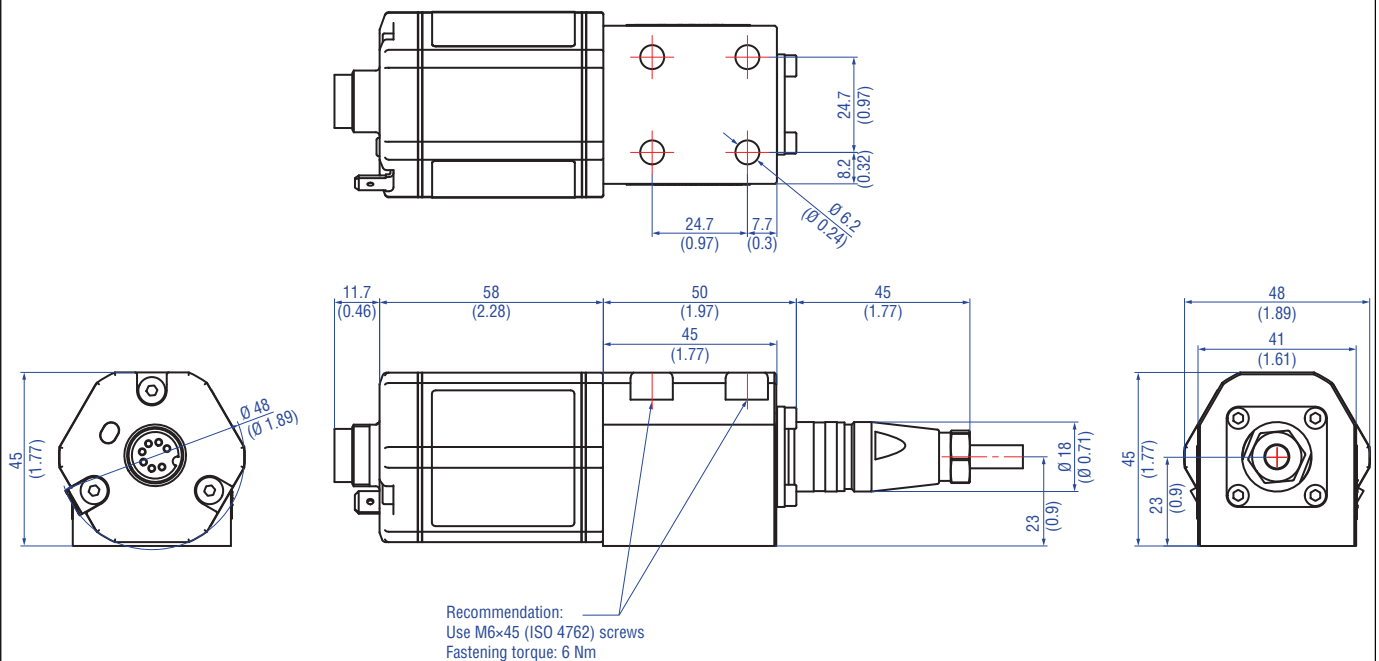
TECHNICAL DRAWING



RDV with bottom cable entry, example: BXX/EXX/GXX/LXX/UXX (angled cable outlet)



RDV with side cable entry, example: Connector D70 (connector outlet)



Controlling design dimensions are in millimeters and measurements in () are in inches

Fig. 2: Temposonics® RDV sensor electronics housing, part 1

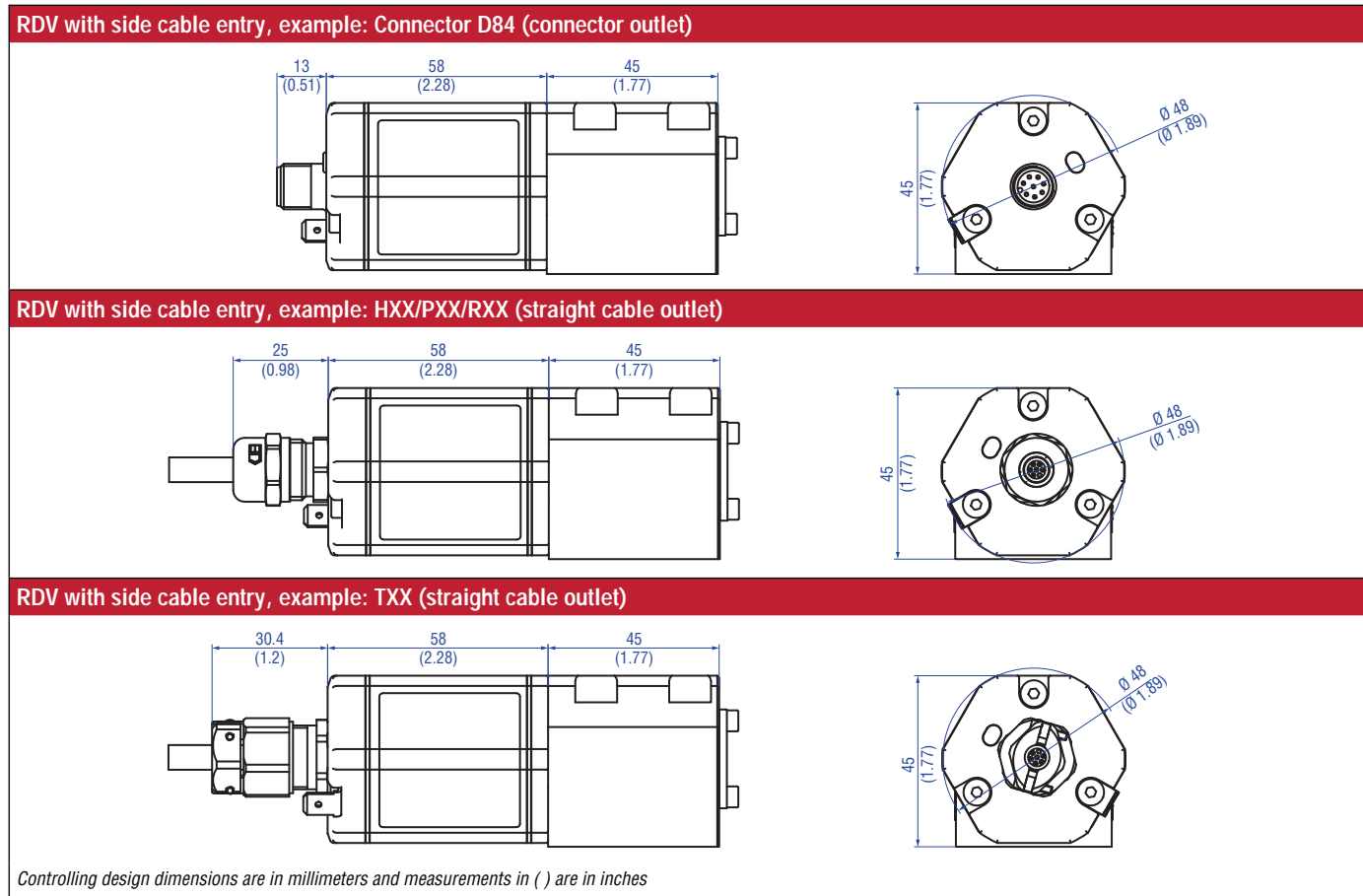
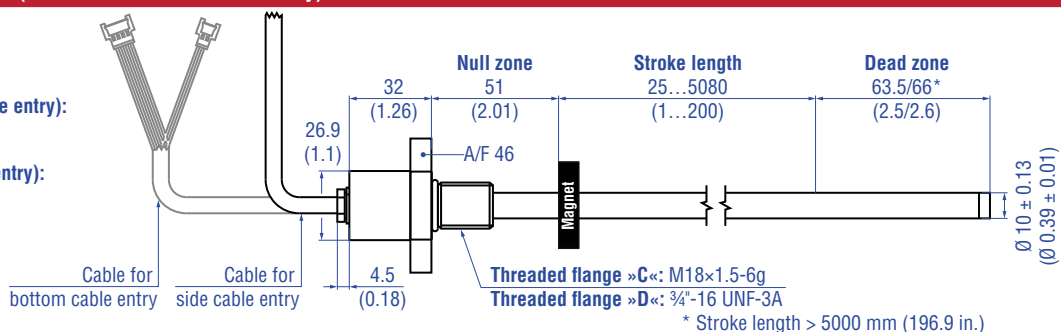


Fig. 3: Temposonics® RDV sensor electronics housing, part 2

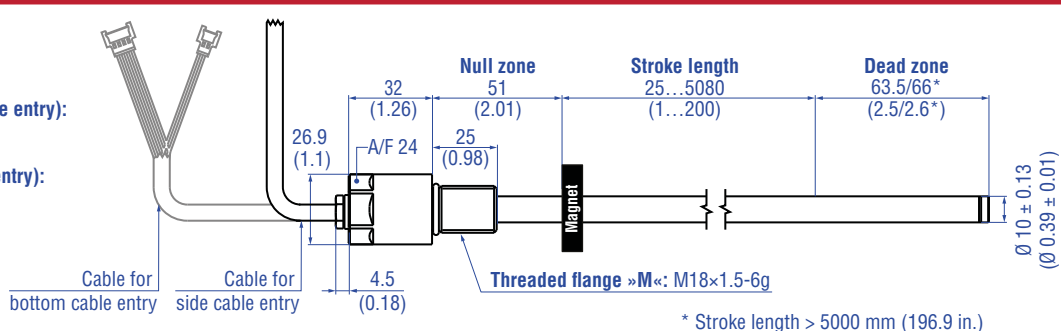
Threaded flange »C« & »D« (for bottom or side cable entry)

PUR cable:
Ø 6 (Ø 0.24)
Bending radius:
> 24 (> 0.94)
Cable length (bottom cable entry):
65/170/230/350
(2.6/6.7/9.1/13.8)
Cable length (side cable entry):
250/400/600
(9.8/15.7/23.6)



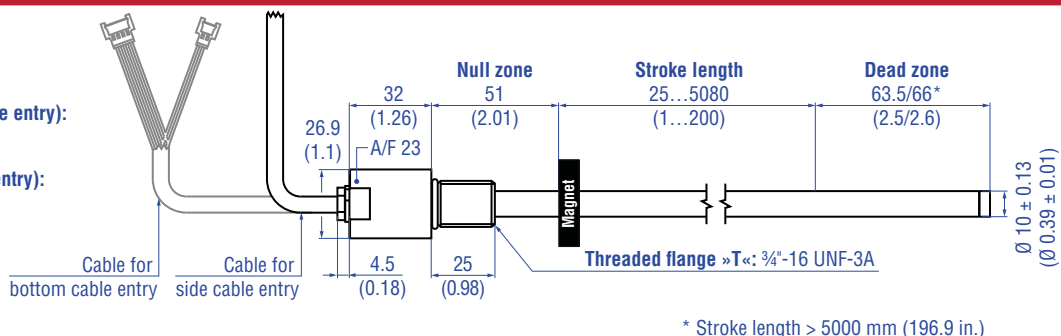
Threaded flange »M« (for bottom or side cable entry)

PUR cable:
Ø 6 (Ø 0.24)
Bending radius:
> 24 (> 0.94)
Cable length (bottom cable entry):
65/170/230/350
(2.6/6.7/9.1/13.8)
Cable length (side cable entry):
250/400/600
(9.8/15.7/23.6)



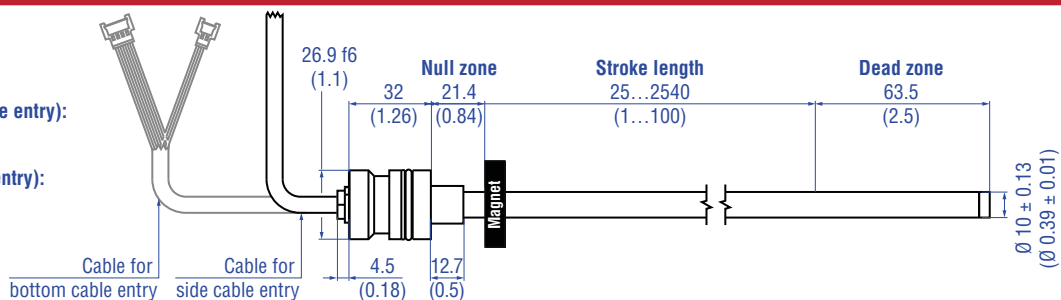
Threaded flange »T« (for bottom or side cable entry)

PUR cable:
Ø 6 (Ø 0.24)
Bending radius:
> 24 (> 0.94)
Cable length (bottom cable entry):
65/170/230/350
(2.6/6.7/9.1/13.8)
Cable length (side cable entry):
250/400/600
(9.8/15.7/23.6)



Pressure fit flange »S« (for bottom or side cable entry)

PUR cable:
Ø 6 (Ø 0.24)
Bending radius:
> 24 (> 0.94)
Cable length (bottom cable entry):
65/170/230/350
(2.6/6.7/9.1/13.8)
Cable length (side cable entry):
250/400/600
(9.8/15.7/23.6)



Controlling design dimensions are in millimeters and measurements in () are in inches

Fig. 4: Temposonics® RDV flanges

CONNECTOR WIRING


D70		
Signal + power supply		
M16 male connector	Pin	Function
 <p>View on sensor</p>	1	Data (-)
	2	Data (+)
	3	Clock (+)
	4	Clock (-)
	5	+12...30 VDC (±20 %)
	6	DC Ground (0 V)
	7	Not connected

Fig. 5: Connector wiring D70

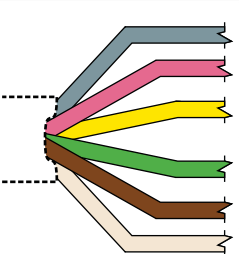
HXX or LXX / PXX or BXX / RXX or EXX / TXX or GXX / UXX		
Signal + power supply		
Cable	Color	Function
	GY	Data (-)
	PK	Data (+)
	YE	Clock (+)
	GN	Clock (-)
	BN	+12...30 VDC (±20 %)
	WH	DC Ground (0 V)
	For cable type TXX, the extra red & blue wires are not used.	

Fig. 7: Connector wiring cable outlet


D84		
Signal + power supply		
M12 male connector (A-coded)	Pin	Function
 <p>View on sensor</p>	1	Clock (+)
	2	Clock (-)
	3	Data (+)
	4	Data (-)
	5	Not connected
	6	Not connected
	7	+12...30 VDC (±20 %)
	8	DC Ground (0 V)

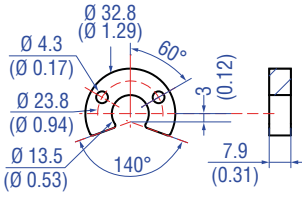
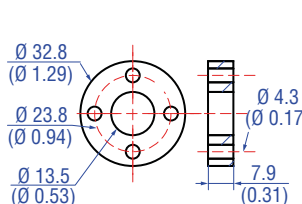
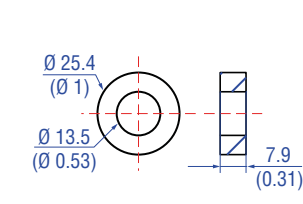
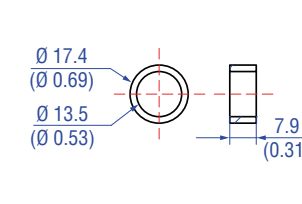
Fig. 6: Connector wiring D84

Straight cable outlet			Cable type	Angled cable outlet
H	X	X	Part no. 530 052 PUR	→ L X X Part no. 530 052
P	X	X	Part no. 530 175 PUR	→ B X X Part no. 530 175
R	X	X	Part no. 530 032 PVC	→ E X X Part no. 530 032
T	X	X	Part no. 530 112 FEP	→ G X X Part no. 530 157

Fig. 8: Cable types assignment

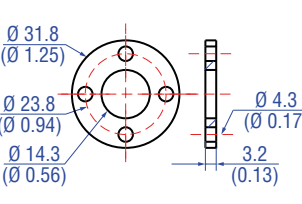
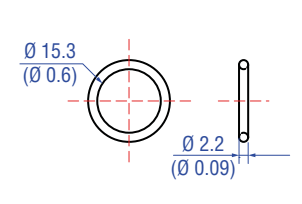
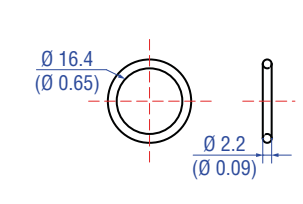
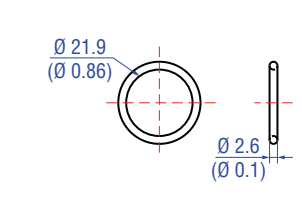
FREQUENTLY ORDERED ACCESSORIES – Additional options available in our [Accessories Catalog](#) 551444

Position magnets

			
<p>U-magnet OD33 Part no. 251 416-2</p>	<p>Ring magnet OD33 Part no. 201 542-2</p>	<p>Ring magnet OD25.4 Part no. 400 533</p>	<p>Ring magnet OD17.4 Part no. 401 032</p>
<p>Material: PA ferrite GF20 Weight: Approx. 11 g Surface pressure: Max. 40 N/mm² Fastening torque for M4 screws: 1 Nm Operating temperature: -40...+105 °C (-40...+221 °F)</p> <p>Marked version for sensors with internal linearization: Part no. 254 226</p>	<p>Material: PA ferrite GF20 Weight: Approx. 14 g Surface pressure: Max. 40 N/mm² Fastening torque for M4 screws: 1 Nm Operating temperature: -40...+105 °C (-40...+221 °F)</p> <p>Marked version for sensors with internal linearization: Part no. 253 620</p>	<p>Material: PA ferrite Weight: Approx. 10 g Surface pressure: Max. 40 N/mm² Operating temperature: -40...+105 °C (-40...+221 °F)</p> <p>Marked version for sensors with internal linearization: Part no. 253 621</p>	<p>Material: PA neobond Weight: Approx. 5 g Surface pressure: Max. 20 N/mm² Operating temperature: -40...+105 °C (-40...+221 °F)</p>

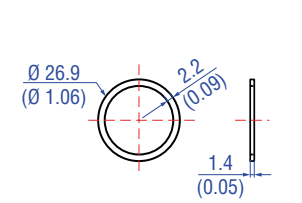
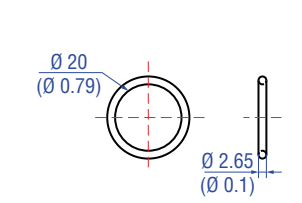
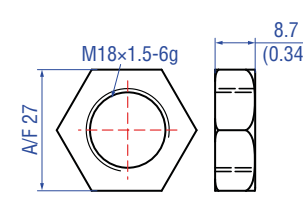
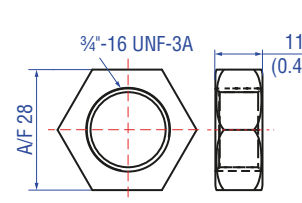
Magnet spacer

O-rings

			
<p>Magnet spacer Part no. 400 633</p>	<p>O-ring for threaded flange M18×1.5-6g Part no. 401 133</p>	<p>O-ring for threaded flange ¾"-16 UNF-3A Part no. 560 315</p>	<p>O-ring for pressure fit flange Ø 26.9 mm Part no. 560 705</p>
<p>Material: Aluminum Weight: Approx. 5 g Surface pressure: Max. 20 N/mm² Fastening torque for M4 screws: 1 Nm</p>	<p>Material: Fluoroelastomer Durometer: 75 ± 5 Shore A Operating temperature: -40...+204 °C (-40...+400 °F)</p>	<p>Material: Fluoroelastomer Durometer: 75 ± 5 Shore A Operating temperature: -40...+204 °C (-40...+400 °F)</p>	<p>Material: Nitrile rubber Operating temperature: -53...+107 °C (-65...+225 °F)</p>

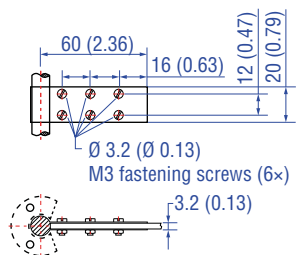
O-rings

Mounting accessories

			
<p>Back-up ring for pressure fit flange Ø 26.9 mm Part no. 560 629</p>	<p>O-ring for mounting block with bottom entry Part no. 561 435</p>	<p>Hex jam nut M18×1.5-6g Part no. 500 018</p>	<p>Hex jam nut ¾"-16 UNF-3A Part no. 500 015</p>
<p>Material: Polymyte Durometer: 90 Shore A</p>	<p>Material: FKM Durometer: 80± 5 Shore A Operating temperature: -15...+200 °C (5...+392 °F)</p>	<p>Material: Steel, zinc plated</p>	<p>Material: Steel, zinc plated</p>

Controlling design dimensions are in millimeters and measurements in () are in inches

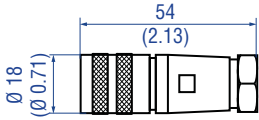
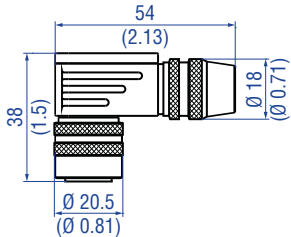
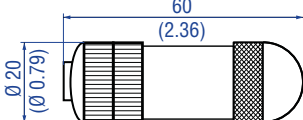
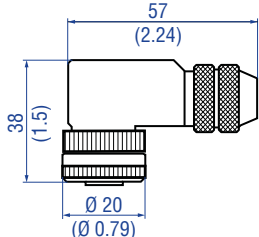
Mounting accessory







Fixing clip
Part no. 561 481

Application: Used to secure sensor rods ($\varnothing 10$ mm ($\varnothing 0.39$ in.)) when using an U-magnet or block magnet
Material: Brass, non-magnetic

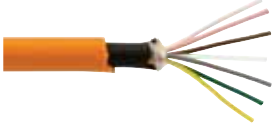
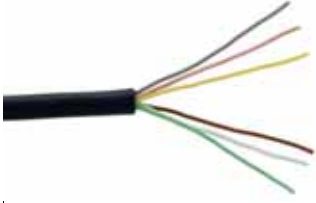


Cable connectors*



			
<p>M16 female connector (7 pin), straight Part no. 370 624</p>	<p>M16 female connector (7 pin), angled Part no. 560 779</p>	<p>M12 A-coded female connector (8 pin), straight Part no. 370 694</p>	<p>M12 A-coded female connector (8 pin), angled Part no. 370 699</p>
<p>Material: Zinc nickel plated Termination: Solder Contact insert: Silver plated Cable clamp: PG9 Cable Ø: 6...8 mm (0.24...0.31 in.) Operating temperature: -40...+100 °C (-40...+212 °F) Ingress protection: IP65/IP67 (correctly fitted) Fastening torque: 0.7 Nm</p>	<p>Material: Zinc nickel plated Termination: Solder Contact insert: Silver plated Cable clamp: PG9 Cable Ø: 6...8 mm (0.24...0.31 in.) Operating temperature: -40...+100 °C (-40...+212 °F) Ingress protection: IP65/IP67 (correctly fitted) Fastening torque: 0.7 Nm</p>	<p>Housing: GD-ZnAL Termination: Screw Contact insert: CuZn Cable Ø: 4...9 mm (0.16...0.35 in.) Wire: 0.75 mm² Operating temperature: -25...+90 °C (-13...+194 °F) Ingress protection: IP67 (correctly fitted) Fastening torque: 0.6 Nm</p>	<p>Housing: GD-ZnAL Termination: Screw Contact insert: CuZn Cable Ø: 6...8 mm (0.24...0.31 in.) Wire: 0.5 mm² Operating temperature: -25...+85 °C (-13...+185 °F) Ingress protection: IP67 (correctly fitted) Fastening torque: 0.6 Nm</p>

Cables

			
<p>PVC cable Part no. 530 032</p>	<p>PUR cable Part no. 530 052</p>	<p>FEP cable Part no. 530 112</p>	<p>FEP cable Part no. 530 157</p>
<p>Material: PVC jacket; gray Features: Twisted pair, shielded, flexible Cable Ø: 6 mm (0.23 in.) Cross section: 3 × 2 × 0.14 mm² Bending radius: 10 × D (fixed installation) Operating temperature: -40...+105 °C (-40...+221 °F)</p>	<p>Material: PUR jacket; orange Features: Twisted pair, shielded, highly flexible, halogen free, suitable for drag chains, mostly oil & flame resistant Cable Ø: 6.4 mm (0.25 in.) Cross section: 3 × 2 × 0.25 mm² Bending radius: 5 × D (fixed installation) Operating temperature: -30...+80 °C (-22...+176 °F)</p>	<p>Material: FEP jacket; black Features: Twisted pair, shielded, flexible, high thermal resistance, mostly oil & acid resistant Cable Ø: 7.6 mm (0.3 in.) Cross section: 4 × 2 × 0.25 mm² Bending radius: 8 – 10 × D (fixed installation) Operating temperature: -100...+180 °C (-148...+356 °F)</p>	<p>Material: FEP jacket; black Features: Twisted pair, shielded Cable Ø: 6.7 mm (0.26 in.) Cross section: 3 × 2 × 0.14 mm² Operating temperature: -100...+180 °C (-148...+356 °F)</p>

*/ Follow the manufacturer's mounting instructions
Controlling design dimensions are in millimeters and measurements in () are in inches
Color of connectors and cable jacket may change. Colors of the cores and technical properties remain unchanged.

Cables		Cable sets	
			
<p>PUR cable Part no. 530 175</p> <p>Material: PUR jacket; orange Features: Flexible, additional EMC protection Cable Ø: 6.5 mm (0.26 in.) Cross section: 6 × 0.14 mm² Bending radius: 10 × D (fixed installation) Operating temperature: -30...+90 °C (-22...+194 °F)</p>	<p>Silicone cable Part no. 530 176</p> <p>Material: Silicone jacket; black Features: Twisted pair, shielded Cable Ø: 6.3 mm (0.25 in.) Cross section: 3 × 2 × 0.14 mm² Bending radius: 7 × D (fixed installation) Operating temperature: -50...+150 °C (-58...+302 °F)</p>	<p>Cable with M12 A-coded female connector (8 pin), straight – pigtail Part no. 370 674</p> <p>Material: PUR jacket; black Features: Shielded Cable length: 5 m (16.4 ft) Ingress protection: IP67/IP69K (correctly fitted) Operating temperature: -25...+80 °C (-13...+176 °F)</p>	<p>Cable with M12 A-coded female connector (8 pin), angled – pigtail Part no. 370 676</p> <p>Cable: Shielded Cable length: 5 m (16.4 ft) Ingress protection: IP67 (correctly fitted)</p>

Programming tools	
	
<p>TempoLink® kit for Temposonics® R-Series V Part no. TL-1-0-SD70 (for D70) Part no. TL-1-0-SD84 (for D84) Part no. TL-1-0-AS00 (for cable outlet)</p> <ul style="list-style-type: none"> • Connect wirelessly via Wi-Fi enabled device or via USB with the diagnostic tool • Simple connectivity to the sensor via 24 VDC power line (permissible cable length: 30 m) • User friendly interface for mobile devices and desktop computers • See data sheet “TempoLink® smart assistant” (document part no.: 552070) for further information 	<p>TempoGate® smart assistant for Temposonics® R-Series V Part no. TG-C-0-Dxx (xx indicates the number of R-Series V sensors that can be connected (even numbers only))</p> <ul style="list-style-type: none"> • OPC UA server for diagnostics of the R-Series V • For installation in the control cabinet • Connection via LAN and Wi-Fi • See data sheet “TempoGate® smart assistant” document part no.: 552110 for further information

Color of connectors and cable jacket may change. Colors of the cores and technical properties remain unchanged.

ORDER CODE

1	2	3	4	5	6	7	8	9	10	11	12	13	14	15	16	17	18	19	20	21	22	23	24	25	26	27		
R	D	V													1	S												
a			b		c		d				e		f			g	h	i	j	k	l	m	n	o				

optional

a	Design
R D V	Detached sensor electronics "Classic"

b	Design
C	Threaded flange M18×1.5-6g (A/F 46)
D	Threaded flange ¾"-16 UNF-3A (A/F 46)
M	Threaded flange M18×1.5-6g (A/F 24)
S	Pressure fit flange Ø 26.9 mm f6
T	Threaded flange ¾"-16 UNF-3A (A/F 23)

c	Mechanical options
For side cable entry	
A	PUR cable with M16 connector, 250 mm length
B	PUR cable with M16 connector, 400 mm length
C	PUR cable with M16 connector, 600 mm length
F	PUR cable with M16 connector, 5 m length
For bottom cable entry	
2	Single wires with flat connector, 65 mm length
4	Single wires with flat connector, 170 mm length
5	Single wires with flat connector, 230 mm length
6	Single wires with flat connector, 350 mm length

d	Stroke length
X X X X M	Flange »S«: 0025...2540 mm Flange »C«, »D«, »M«, »T«: 0025...5080 mm
Stroke length (mm)	Ordering steps
25... 500 mm	5 mm
500... 750 mm	10 mm
750...1000 mm	25 mm
1000...2500 mm	50 mm
2500...5080 mm	100 mm
X X X X U	Flange »S«: 001.0...100.0 in. Flange »C«, »D«, »M«, »T«: 001.0...200.0 in.
Stroke length (in.)	Ordering steps
1... 20 in.	0.2 in.
20... 30 in.	0.4 in.
30... 40 in.	1.0 in.
40...100 in.	2.0 in.
100...200 in.	4.0 in.
Non standard stroke lengths are available; must be encoded in 5 mm/0.1 in. increments	

e	Number of magnets
X X	01...02 position(s) (1...2 magnet(s))

f	Connection type
Connector	
D 7 0	M16 male connector (7 pin)
D 8 4	M12 male connector (8 pin)
Angled cable outlet	
B X X	XX m/ft. PUR cable (part no. 530 175) B01...B30 (1...30 m/3...99 ft.) (Note the temperature range of the cable!) See "Frequently ordered accessories" for cable specifications
E X X	XX m/ft. PVC cable (part no. 530 032) E01...E30 (1...30 m/3...99 ft.) See "Frequently ordered accessories" for cable specifications
G X X	XX m/ft. FEP cable (part no. 530 157) G01...G30 (1...30 m/3...99 ft.) See "Frequently ordered accessories" for cable specifications
L X X	XX m/ft. PUR cable (part no. 530 052) L01...L30 (1...30 m/3...99 ft.) (Note the temperature range of the cable!) See "Frequently ordered accessories" for cable specifications
U X X	XX m/ft. Silicone cable (part no. 530 176) U01...U30 (1...30 m/3...99 ft.) See "Frequently ordered accessories" for cable specifications
Straight cable outlet	
H X X	XX m/ft. PUR cable (part no. 530 052) H01...H30 (1...30 m/3...99 ft.) (Note the temperature range of the cable!) See "Frequently ordered accessories" for cable specifications
P X X	XX m/ft. PUR cable (part no. 530 175) P01...P30 (1...30 m/3...99 ft.) (Note the temperature range of the cable!) See "Frequently ordered accessories" for cable specifications
R X X	XX m/ft. PVC cable (part no. 530 032) R01...R30 (1...30 m/3...99 ft.) See "Frequently ordered accessories" for cable specifications
T X X	XX m/ft. FEP cable (part no. 530 112) T01...T30 (1...30 m/3...99 ft.) See "Frequently ordered accessories" for cable specifications
Encode in meters if using metric stroke length. Encode in feet if using US customary stroke length.	



g System	
1	Standard

h Output	
S	SSI

i Function	
1	Position
2	Differential measurement (2 magnets and 1 output)
3	Velocity
4	Position and temperature in the sensor electronics housing; NOTICE In this case, only option 2 "24 bit" can be selected under l "Data length".

j Options	
0	Standard
1	Internal linearization

k Mode	
1	Measuring direction forward, asynchronous mode
2	Measuring direction forward, synchronous mode 1
3	Measuring direction forward, synchronous mode 2
4	Measuring direction forward, synchronous mode 3
5	Measuring direction reverse, asynchronous mode
6	Measuring direction reverse, synchronous mode 1
7	Measuring direction reverse, synchronous mode 2
8	Measuring direction reverse, synchronous mode 3

l Data length*	
1	25 bit
2	24 bit
3	26 bit
A	24 bit + alarm bit + parity bit

m Format	
B	Binary
G	Gray

n Resolution	
1	5 µm
2	10 µm
3	50 µm
4	100 µm
5	20 µm
6	2 µm
7	0.1 µm*
8	1 µm
9	0.5 µm

o Additional options (optional)				
S	0	0	2	FIR filter (2 measurements)
S	0	0	4	FIR filter (4 measurements)
S	0	0	8	FIR filter (8 measurements)
S	0	0	A	No filter, error counter (4 cycles)
S	0	0	C	No filter, error counter (8 cycles)
S	0	0	D	No filter, error counter (10 cycles)
S	0	0	G	FIR filter (8 measurements), error counter (10 cycles)
S	0	0	J	IIR filter (filter grade 4)
S	0	0	K	IIR filter (filter grade 8)
S	0	0	N	IIR filter (filter grade 8), error counter (10 cycles)

NOTICE

- Specify the number of magnets for your application and order the magnets separately.
- The number of magnets is limited by the stroke length. The minimum allowed distance between magnets (i.e. front face of one to the front face of the next one) is 75 mm (3 in.).
- Use magnets of the same type for differential measurement.
- If the option for internal linearization in **j** "Options" is chosen, select a suitable magnet.

DELIVERY



RDV-C/-D/-M/-T:

Sensor, O-ring

RDV-S:

Sensor, O-ring, back-up ring

Accessories have to be ordered separately.

Manuals, Software & 3D Models available at:
www.temposonics.com

*/ The stroke length of the sensor influences the choice of resolution and data width. See glossary under "Resolution and data width depending on stroke length"

GLOSSARY

A	P
<p>Alarm The alarm bit is set by the sensor if the sensor detects more magnets (extra magnet) or less magnets (magnet status error) than configured.</p> <p>Asynchronous mode In asynchronous mode the position data is continuously updated inside the sensor as quickly as the sensor's measurement cycle will allow, independent of the controller. The controller's loop time will determine when the sensor's most recent data is clocked out over the SSI interface. (→ Synchronous mode)</p>	<p>Parity The parity bit is a check bit that is added to a bit string to detect transmission errors. There are even parity and odd parity. With even parity, the parity bit is set so that the total number of 1-bits in the bit string including the parity bit is even. In case of odd parity, the total number of 1-bits in the bit sequence including the parity bit is odd. Even parity is implemented in the R-Series V SSI.</p>
D	R
<p>Differential measurement For differential measurement, the distance between the two position magnets is output as a value.</p>	<p>Resolution and data width depending on stroke length The stroke length of the sensor influences the choice of resolution and data width. The resolution (step size) and data width (number of steps) must be selected so that the stroke length is covered. For example, with a data width of 24 bit and a resolution of 0.5 µm a stroke length of 7,620 mm can be represented. You can adjust the resolution and the data width of the R-Series V SSI via the TempoLink® and TempoGate® smart assistant.</p>
E	S
<p>Extrapolation The native measurement cycle time of a sensor increases with the stroke length. With extrapolation, the sensor is able to report data faster than the native cycle time, independent of the stroke length of the sensor. Without extrapolation, if data is requested faster than the native cycle time, the last measured value is repeated.</p>	<p>Synchronous Serial Interface SSI (Synchronous Serial Interface) is a digital interface where the data is transferred serially. The interface of R-Series V SSI corresponds to SSI industry standard for absolute encoders. Its displacement value is encoded in a 24/25/26 bit binary or gray format and transmitted as a differential signal in SSI standard (RS-485/RS-422).</p>
F	S
<p>FIR Filter The FIR filter (Finite Impulse Response) is used to smooth the measured position value before output. To determine the output value, only input values corresponding to the window (filter window size) are used for filter calculation. The output value is calculated from these input values in the form of a moving average value. (→ IIR Filter)</p>	<p>Synchronous mode In synchronous mode the measurement and output of the sensor is matched to the data request cycle of the controller. The synchronous mode minimizes the time delay between measurement and output. The synchronous mode is required for sophisticated motion control applications. (→ Asynchronous mode)</p> <ul style="list-style-type: none"> • Synchronous mode 1 Using synchronous mode 1, the sensor determines the controller's loop timing and when data is being requested. The sensor then determines when to start the next measurement cycle so that it will complete just in time to deliver the freshest data possible. • Synchronous mode 2 If new position data is required faster than the sensor's measurement cycle time, synchronous mode 2 provides extrapolated data values, calculated on the fly. A measurement value will be calculated and output to the controller whenever the sensor has not yet completed the next measurement cycle. • Synchronous mode 3 Synchronous mode 3 provides an additional enhancement to the high speed update feature of synchronous mode 2. For this mode all measurements values which are output are calculated to fully compensate for the inherent lag time due to the sensor's measurement cycle.
I	T
<p>IIR Filter The IIR filter (Infinite Impulse Response) is used to smooth the measured position value before output. To determine the output value, the input values corresponding to the filter grade (filter window size) are used for the filter calculation. The previous values are also taken into account when calculating the output value. (→ FIR Filter)</p> <p>Internal Linearization The internal linearization offers an improved linearity for an overall higher accuracy of the position measurement. The internal linearization is set for the sensor during production.</p>	<p>Temperature in the sensor electronics housing The temperature in the sensor electronics housing is measured in °C. With this option, the transmitted data word has a length of 32 bits, with the highest 8 bits representing the temperature value, followed by 24 bits for the position value. The temperature value is coded in the same format as the position value.</p>
M	
<p>Measuring direction When moving the position magnet, the position and velocity values increase in the measuring direction.</p> <ul style="list-style-type: none"> • Forward: Values increasing from sensor electronics housing to rod end/profile end • Reverse: Values decreasing from sensor electronics housing to rod end/profile end 	

UNITED STATES 3001 Sheldon Drive
Temposonics, LLC Cary, N.C. 27513
Americas & APAC Region Phone: +1 919 677-0100
E-mail: info.us@temposonics.com

GERMANY Auf dem Schüffel 9
Temposonics 58513 Lüdenscheid
GmbH & Co. KG Phone: +49 2351 9587-0
EMEA Region & India E-mail: info.de@temposonics.com

ITALY Phone: +39 030 988 3819
Branch Office E-mail: info.it@temposonics.com

FRANCE Phone: +33 6 14 060 728
Branch Office E-mail: info.fr@temposonics.com

UK Phone: +44 79 21 83 05 86
Branch Office E-mail: info.uk@temposonics.com

SCANDINAVIA Phone: +46 70 29 91 281
Branch Office E-mail: info.sca@temposonics.com

CHINA Phone: +86 21 2415 1000 / 2415 1001
Branch Office E-mail: info.cn@temposonics.com

JAPAN Phone: +81 3 6416 1063
Branch Office E-mail: info.jp@temposonics.com

Document Part Number:
552140 Revision A (EN) 11/2022



temposonics.com