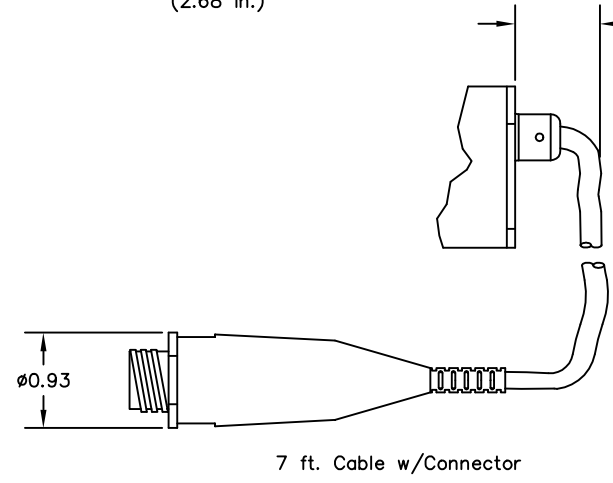
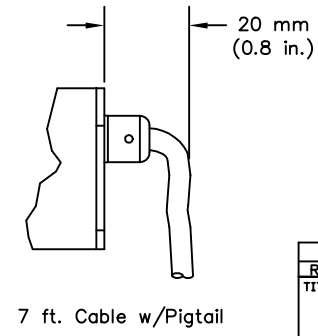
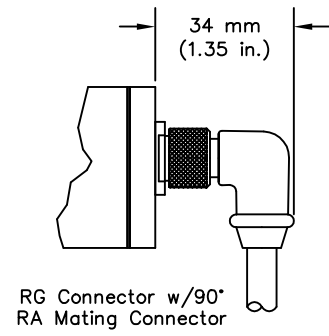
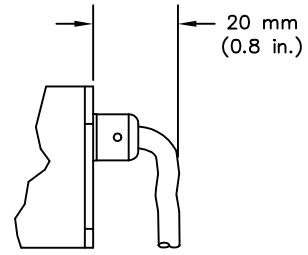
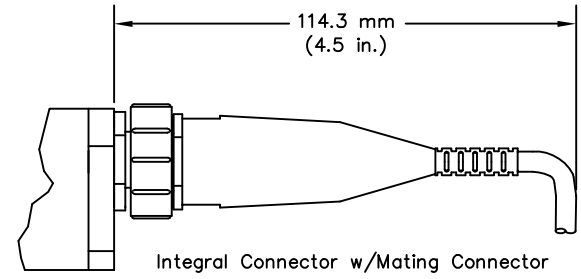
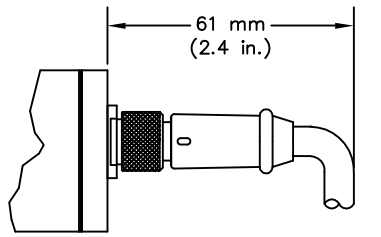
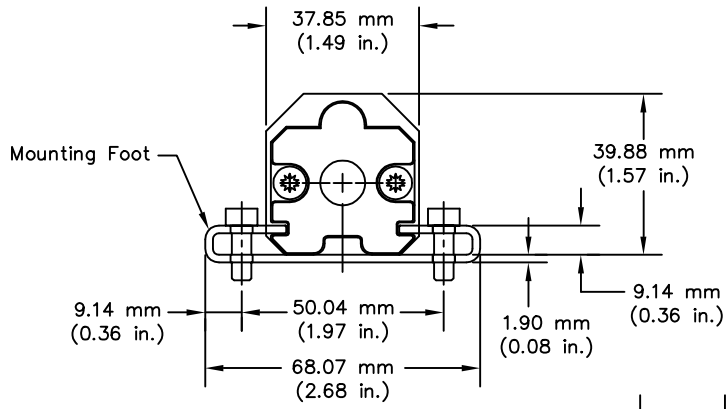
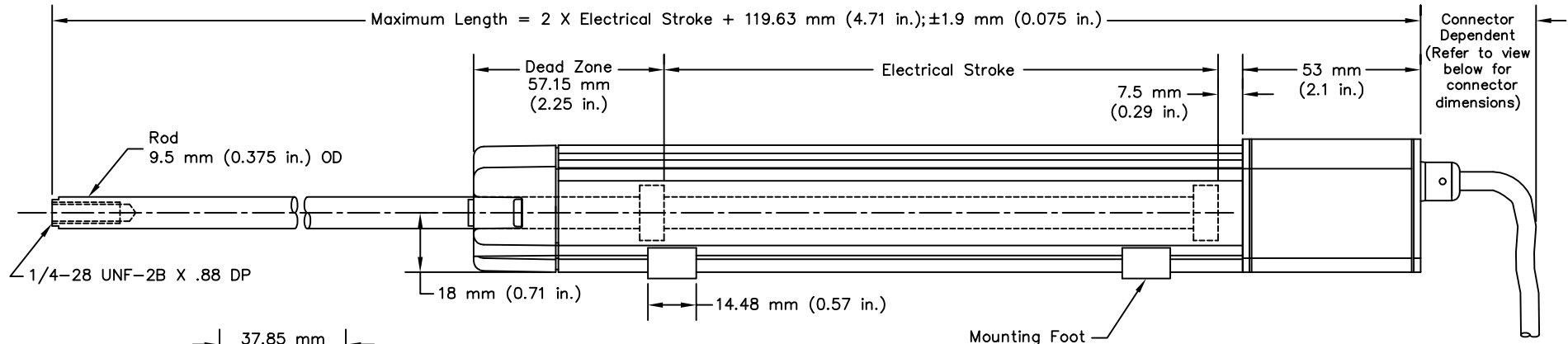


# LP ROD & CYLINDER

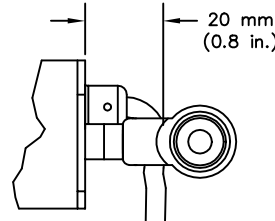
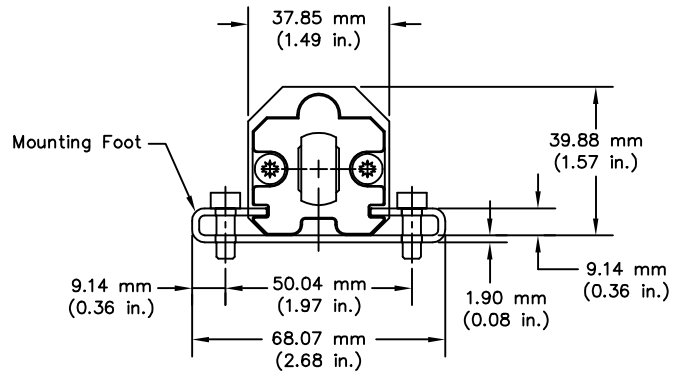
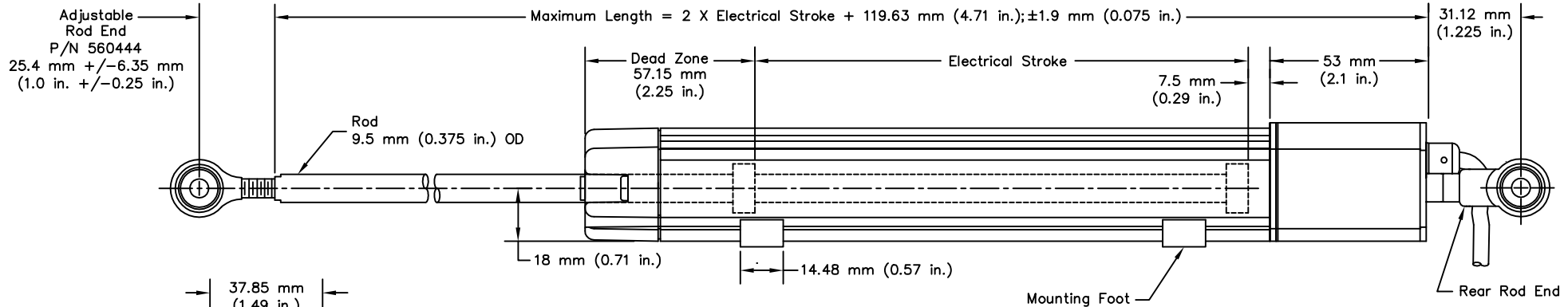
Temposonics® sensors are a registered trademark of MTS Systems Corporation  
 ©1998 MTS Systems Corporation



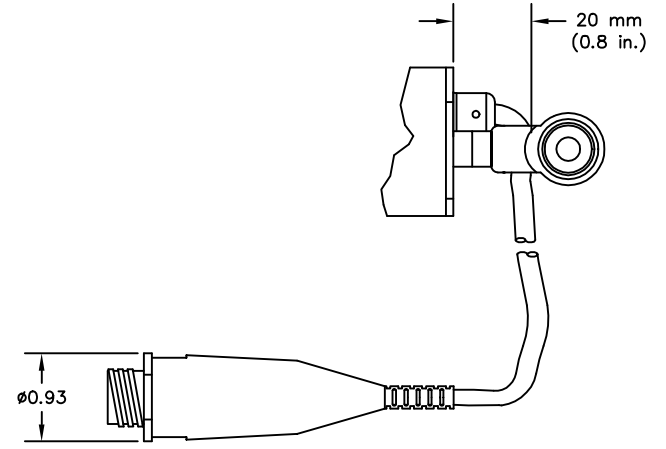
A	12/02/98	3720
REV.	DATE	ECO #
TITLE L-Series Rod & Cylinder Model Type LP W/O Rod Ends		
DWG NO. 901001-1	SHEET 1 OF 2	REV A

# LP ROD & CYLINDER WITH DUAL ROD ENDS

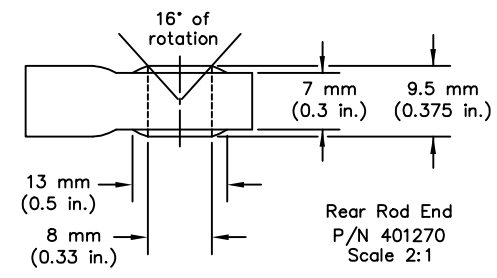
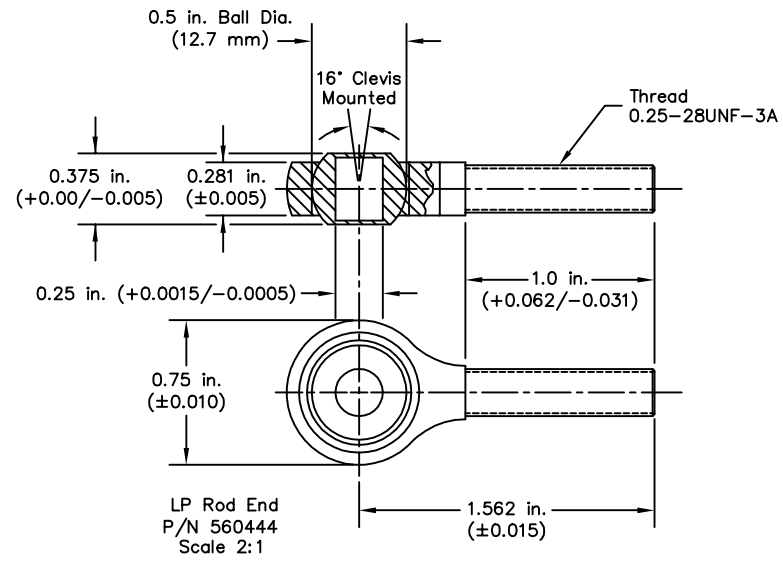
Temposonics® sensors are a registered trademark of MTS Systems Corporation  
 © 1998 MTS Systems Corporation



7 ft. Cable w/Pigtail



7 ft. Cable w/Connector



A	12/02/98	3720
REV.	DATE	FCO #
TITLE L-Series Rod & Cylinder Model Type LP W/Rod Ends		
DWG NO.	901001-2	SHEET 2 OF 2 REV A