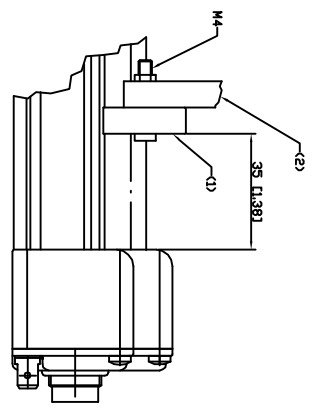
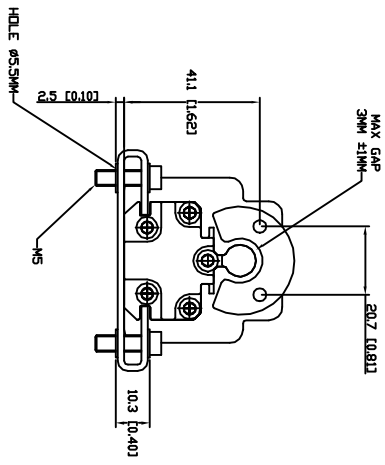
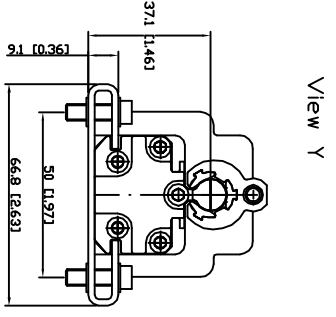
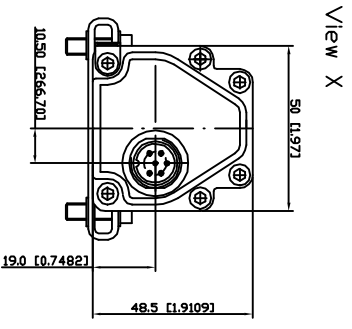


TEMPOSONICS SLIDING MAGNET TYPES V AND S



TEMPOSONICS FLOATING MAGNET TYPE M



REV. A	DATE 6/27/00	BY LH	4103	INITIAL RELEASE
UNLESS OTHERWISE SPECIFIED			MATERIAL NA	DESCRIPTION
TENSOR FINISH NO HOLE DRAWING				
INITIAL RELEASE DATE 10/28/98 DRAWN BY CHECKED BY PROJECT LINE SHEET 1 OF 1				
MTS CORPORATION SENSORS DIVISION 11000 WILSON AVENUE ANN ARBOR, MI 48106-1500 PHONE 734.769.3800 FAX 734.769.3801 WWW.MTS-CORP.COM				
TITLE L-SERIES MODEL EP SING NO. 901029 REV A				